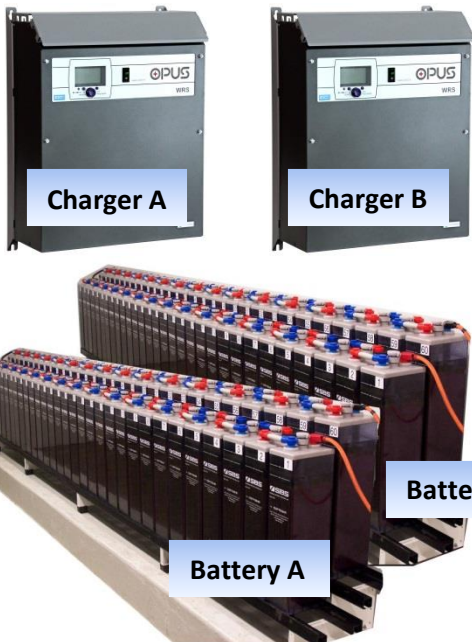


OPUS WRS

Wall mountable battery charger for modernization projects



Typical Applications:

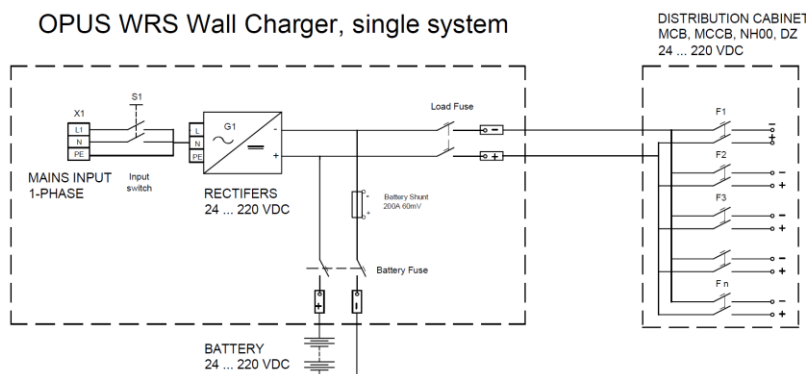
- ✓ Power transmission substations, switchgears and transformer stations
- ✓ Power plants
- ✓ Process industry
- ✓ Oil & Gas

Replacement for old thyristor based charger cubicles

Features:

- ✓ Quick and easy wall installation
- ✓ Saves footprint in electrical rooms
- ✓ Full battery testing and monitoring functionality
- ✓ Earth fault monitoring
- ✓ Single systems or double systems
- ✓ Typical power requirement 110VDC or 220VDC 200W-1000W, 10 hour autonomy

OPUS WRS Wall Charger, single system



OPUS WRS Wall Charger, double system

